



YT3300 / YT3350

Linear & Rotary Smart Valve Positioner

The Smart Valve Positioner controls valve stroke accurately according to input signal of 4-20mA being input from controller. In addition, highly efficient microprocessing operator built in the product performs various and powerful functions like Auto calibration, PID control, Alarm and Hart protocol.



- ◆ LCD equipped outside of product makes to check the positioner condition in the field directly.
- ◆ It endures severe vibration.
- ◆ It is operated normally regardless of change of supply pressure during operation.
- ◆ Very simple auto calibration method (just pressing a button)
- ◆ Stainless steel housing (YT3350)
- ◆ Reduced air consumption.
- ◆ Low voltage (8.5V) operation: support any kind of controller.
- ◆ Variable orifice is applied: in case of small actuator the hunting is controlled to the optimum condition during operation.
- ◆ Hart communication makes to process various information of valve and positioner.
- ◆ Valve system is stable by sending analog feedback signal.
- ◆ Adjustment of Valve characteristics (Linear, Quick open, Equal percentage) is available.
- ◆ Specific flow control is available with setting 16 point at users' command.
- ◆ Tight Shut-Close and Shut-Open can be set voluntarily.
- ◆ PID parameters can easily adjusted in the field without additional communicator.
- ◆ The pressure of Air filter regulator is sent to Actuator directly with using A/M switch.
- ◆ Split range such as 4-20mA, 12-20mA is available.
- ◆ Setting Zero and Span as partial section is available by Hand Calibration function.

TECHNICAL DATA

MOUNTING	ISO recommended mounting bracket
PROTECTION CLASS (acc. To EN 60529)	IP66
MINIMUM CURRENT SIGNAL	3,2 mA (std) , 3.8 mA (Hart)
IMPEDANCE	Max 500Ω / 20mA DC
INPUT SIGNAL	4 ÷ 20 mA DC
SUPPLY PRESSURE	1,4 ÷ 7 bar
STROKE	YT3300L / YT3350L (Linear type) : 20 - 150 mm YT3300R / YT3350R (Rotary Type) : 0 - 90°
PNEUMATIC CONNECTIONS	1/4"NPT
CONDUIT	PF 1/2 (G1/2)
REPEATABILITY	±0.3% F.S.
HYSTERESIS	±0.5% F.S.
LINEARITY	±0.5% F.S.
SENSITIVITY	±0.2% F.S.
AIR CONSUMPTION	2 l/min supply 1,4 bar
FLOW CAPACITY	70 l/min supply 1,4 bar
AMBIENT TEMPERATURE	-30÷85°C (T5)
EXPLOSION PROOF	Ex ia IIC T5/T6
BODY & COVER MATERIALS	YT 3300 : Aluminium with anti corrosive paint YT3350 : Stainless Steel
WEIGHT	YT 3300 : 2Kg YT3350 : 5Kg

Calibration?

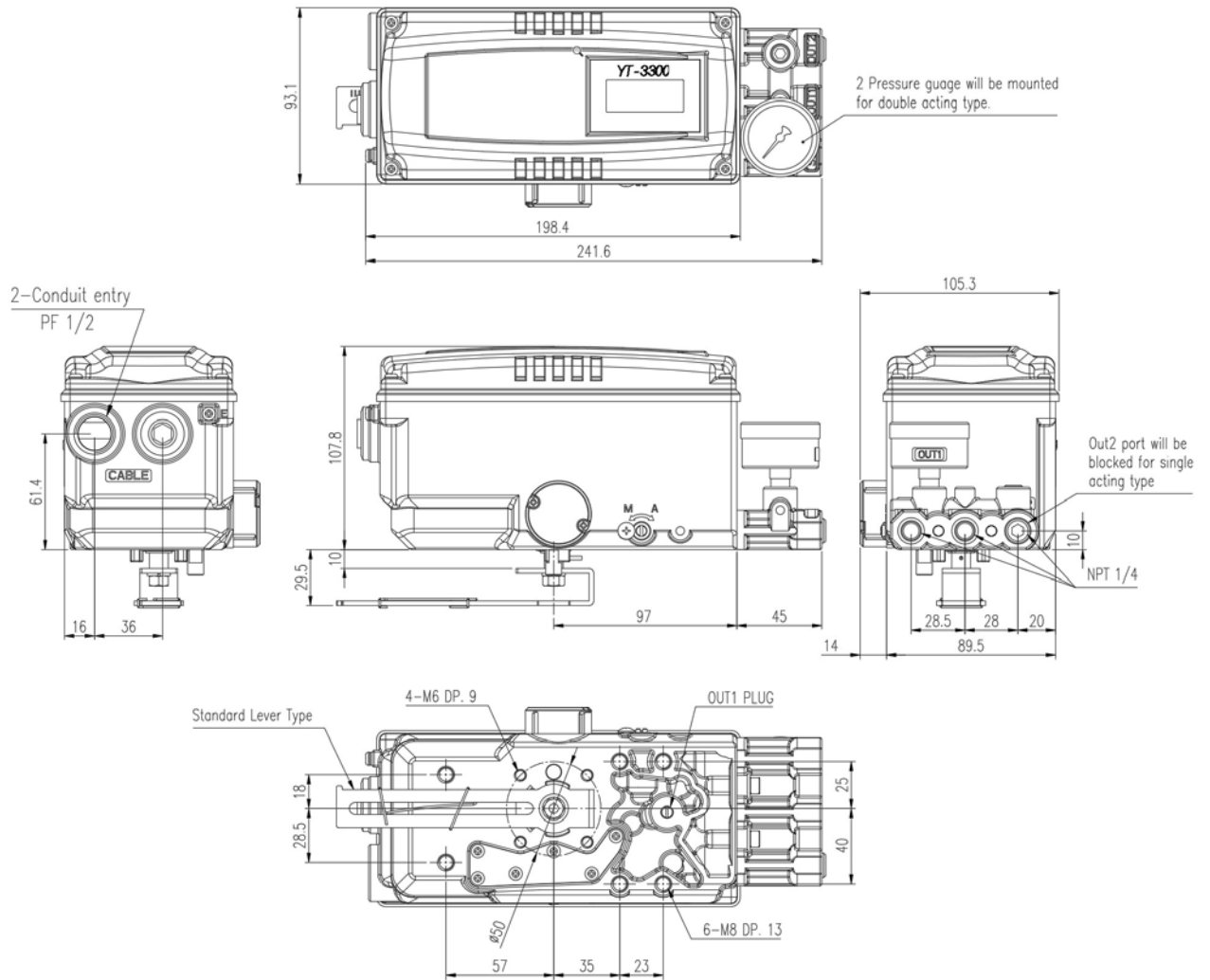


just pressing a button

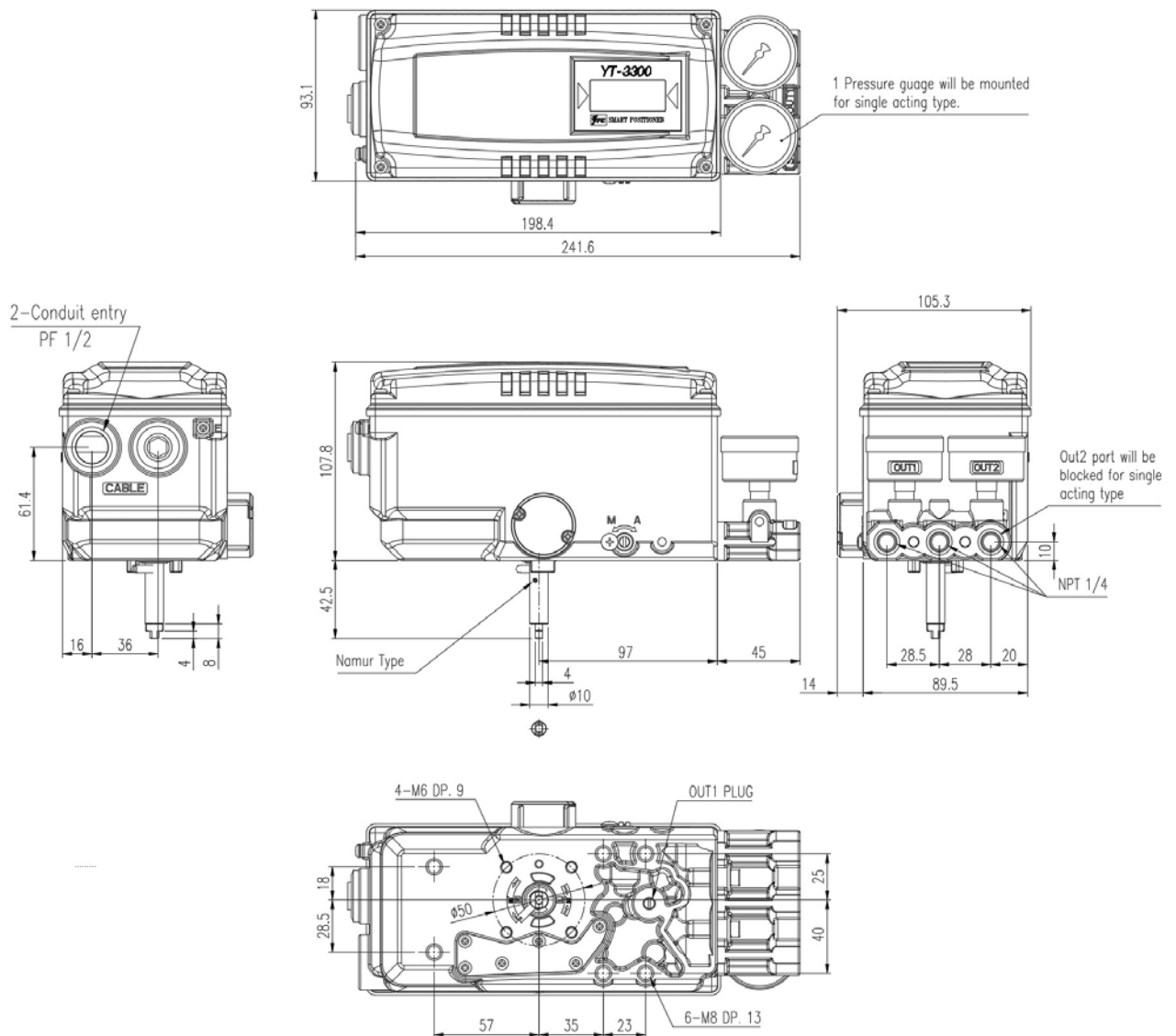
OPTIONS

HART PROTOCOL	LIMIT SWITCHES
POSITION TRANSMITTER (4÷20mA)	

YT3300L / YT3350L DIMENSIONS



YT3300L / YT3350L DIMENSIONS



The contents of this publication are presented for information purpose only. We reserve to modify or improve the designs or specifications of such products at any time without notice



OMC s.r.l.

Via Galileo Galilei, 18 - 20060
Cassina de Pecchi (MI) - ITALY
Tel.: (+39) 02.95.28.468
Fax: (+39) 02.95.21.495
info@omcsrl.com