



# RP01 - RE01

*Linear Analog Valve Positioners*

The single & double-acting positioners RP01 and RE01 require an input signal of 3÷15 psi / 4÷20 mA for proportional control actuator. The Positioner compares the output signal from a controller with the position feedback, and varies a pneumatic output signal to the actuator accordingly. The actuator position is therefore guaranteed for any controller output signal and the effects of varying differential pressure.



**CESI**



**Available 2014/34/UE (ATEX):**

- II 1G Ex ia IIC Ga T6,T5 Ga
- II 2G IIC Ex h IIC T6...T1 Gb
- II 2D IIC Ex h IIIC T6...T1 Db

- ◆ Good dynamic response
- ◆ Particular compact design
- ◆ Zero and Span independent adjustment
- ◆ Split-Range operation
- ◆ Insensitive to pressure variation
- ◆ IEC 60534 standard bracket
- ◆ Adjustable positioning pressure range
- ◆ Valve speed adjustment
- ◆ Reverse action
- ◆ Double acting operation

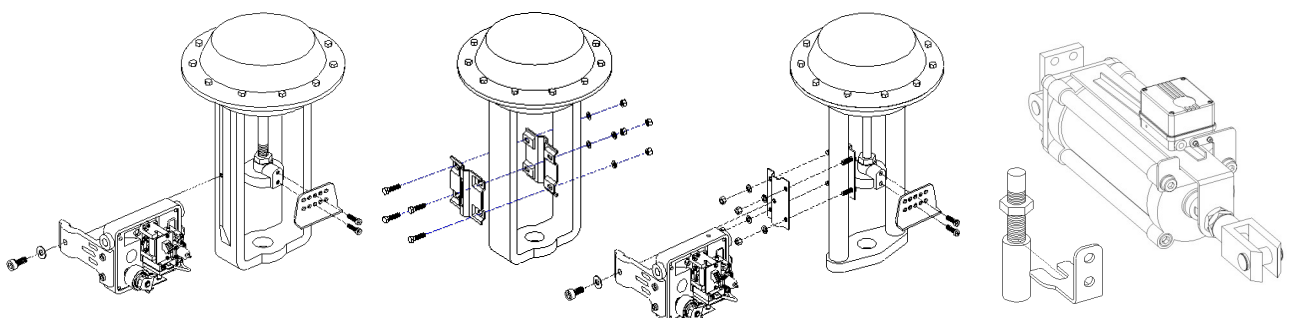
## TECHNICAL DATA

MOUNTING	ISO recommended mounting bracket
PROTECTION CLASS (acc. To EN 60529)	IP55 (IP65 on request)
NOMINAL STROKE	3÷7mm (spring type 1) 6÷18mm (spring type 2) 9÷33mm (spring type 3) 14÷53mm (spring type 5) 52÷100mm (spring type 6) From 100 to >100 (on request)
PNEUMATIC CONNECTION	1/4" NPT
SUPPLY AIR PRESSURE	2...10 bar
OUTPUT AIR PRESSURE	0...100% of the supply air pressure
REPEATIBILITY	RP01: ±0.1% F.S. RE01: ±0.2% F.S.
HISTERESIS	RP01: ±0.6% F.S. RE01: ±1.0% F.S.
INPUT SIGNAL	RP01: 3÷15 psi (other input on request) RE01: 4÷20 mA (other input on request)
ANBIENT TEMPERATURE	RP01: -40÷80°C RE01: -40÷70°C
ELECTRIC CONNECTION	RE01: Cable gland PG9 (other on request)
U <sub>i</sub>	RE01: < 30 V
i <sub>i</sub>	RE01: < 150 mA
P <sub>i</sub>	RE01: < 0.8 W
Impedance	RE01: < 250 Ohm
C <sub>i</sub>	negligible
L <sub>i</sub>	negligible
WEIGHT	RP01: 1,3 Kg RE01: 1,4 Kg
BODY MATERIAL	Die cast aluminium with anti corrosive paint
COVER MATERIAL	Polycarbonate
RECEIVER DIAPHRAGM	Nitrile rubber

## OPTIONS

POSITION TRANSMITTER (4÷20mA)	LIMIT SWITCHES
COVER IN DIE CAST ALLUMINIUM	PRESSURE GAUGE (GMKit)
II 1G Ex ia IIC Ga T6,T5 Ga (RE01.1)	II 2G IIC Ex h IIC T6...T1 Gb (RP01)
	II 2D IIC Ex h IIIC T6...T1 Db (RP01)

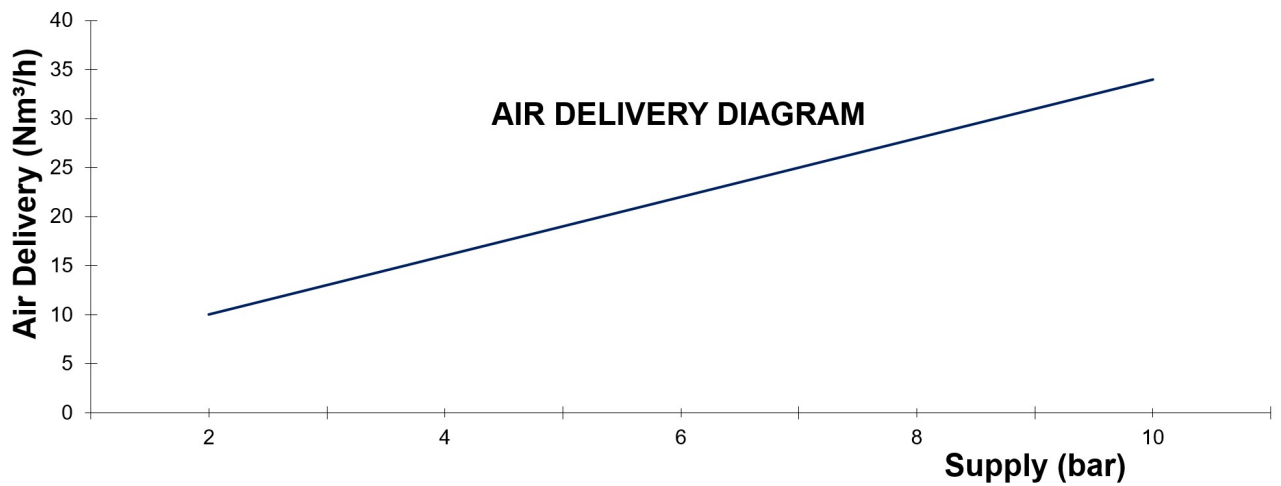
## FITTING THE POSITIONER



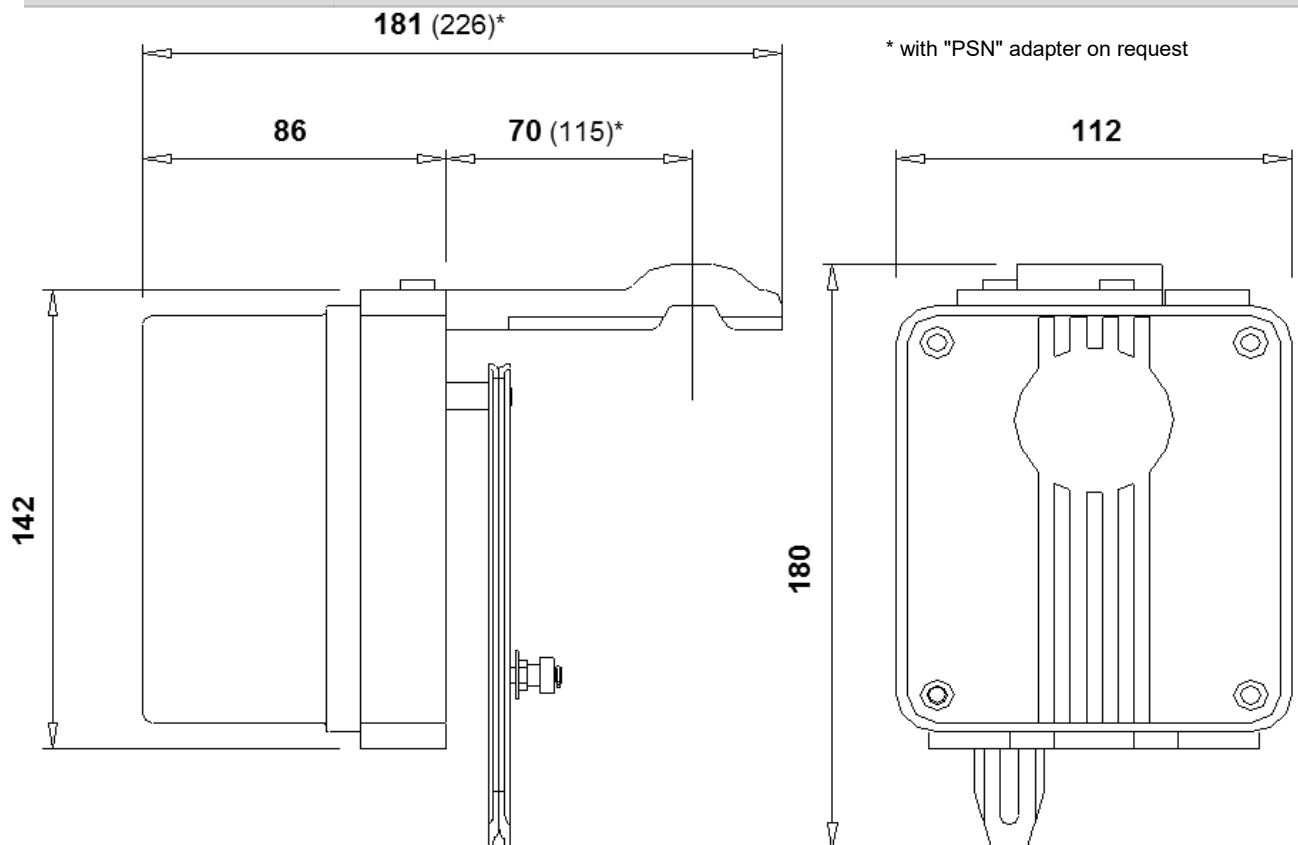
## AIR DELIVERY

Test effected with pipe 6x8 mm

AIR SUPPLY (bar)	AIR DELIVERY ( Nm <sup>3</sup> /h)	AIR CONSUMPTION ( Nm <sup>3</sup> /h)
2	from 1 to 10	0.2
4	from 1 to 16	0.5
6	from 1 to 22	0.7
8	from 1 to 28	1.0
10	from 1 to 34	1.4



## DIMENSIONS



*The contents of this publication are presented for information purpose only. We reserve to modify or improve the designs or specifications of such products at any time without notice*



**OMC s.r.l.**

Via Galileo Galilei, 18 - 20060  
Cassina de Pecchi (MI) - ITALY  
Tel.: (+39) 02.95.28.468  
Fax: (+39) 02.95.21.495  
[info@omcsrl.com](mailto:info@omcsrl.com)