



R99P - R99E

Rotary Analog Valve Positioners

Single & double-acting Positioner, input signal 4÷20mA (R99E) or 0.2÷1bar (R99P) for proportional control of rotary actuators. The positioner operates on the force-balance principle by comparing the standard signal transmitted from a pneumatic or an electronic controller device and the angular rotation of the stem, and conveys a positioning amplified pressure to the valve actuator.



Available 2014/34/UE (ATEX):

- II 1G Ex ia IIC Ga T6,T5 Ga
- II 2G IIC Ex h IIC T6...T1 Gb
- II 2D IIC Ex h IIC T6...T1 Db



CESI



- ◆ Good dynamic response
- ◆ Particular compact design
- ◆ Zero and Span independent adjustment
- ◆ Split-Range operation
- ◆ Insensitive to pressure variation
- ◆ Namur standard brachet (VDI/VDE 3845)
- ◆ Adjustable positioning pressure range
- ◆ Valve speed adjustment
- ◆ Reverse action
- ◆ Double acting operation
- ◆ 3D Position indicator

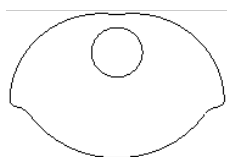
TECHNICAL DATA

| | |
|-------------------------------------|--|
| MOUNTING | ISO recommended mounting bracket |
| PROTECTION CLASS (acc. To EN 60529) | IP55 (IP65 on request) |
| NOMINAL STROKE | 0÷90° (std.) 0÷60° (std.) 0÷20° (on request) 0÷180° (on request) 0÷270° (on request) 0÷360° (on request) Equal percentage EQP (on request) other cam (on request) |
| PNEUMATIC CONNECTION | 1/4" NPT |
| SUPPLY AIR PRESSURE | 3...10 bar |
| OUTPUT AIR PRESSURE | 0...100% of the supply air pressure |
| REPEATIBILITY | R99P: ±0.1% F.S. R99E: ±0.2% F.S. |
| HISTERESIS | R99P: ±0.6% F.S. R99E: ±1.0% F.S. |
| INPUT SIGNAL | R99P: 3÷15 psi (other input on request) R99E: 4÷20 mA (other input on request) |
| ANBIENT TEMPERATURE | R99P: -40÷80°C RE01: -40÷70°C |
| ELECTRIC CONNECTION | R99E: Cable gland PG9 (other on request) |
| Ui | R99E: < 30 V |
| Ii | R99E: < 150 mA |
| Pi | R99E: < 0.8 W |
| Impedance | R99E: < 250 Ohm |
| Ci | negligible |
| Li | negligible |
| WEIGHT | R99P: 1,3 Kg R99E: 1,4 Kg |
| BODY MATERIAL | Die cast aluminium with anti corrosive paint |
| COVER MATERIAL | Polycarbonate |
| RECEIVER DIAPHRAGM | Nitrile rubber |

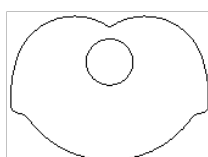
OPTIONS

| | |
|---|--------------------------------------|
| POSITION TRANSMITTER (4÷20mA) | LIMIT SWITCHES |
| COVER IN DIE CAST ALLUMINIUM | PRESSURE GAUGE (GMKit) |
| II 1G Ex ia IIC Ga T6,T5 Ga (PVP11BE.1) | I 2D IIC Ex h IIIC T6...T1 Db (R99P) |
| | II 2G IIC Ex h IIC T6...T1 Gb (R99P) |

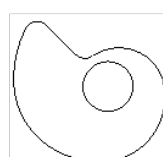
AVAILABLE CAM



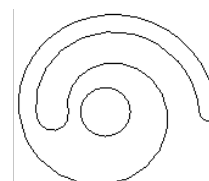
20°/30°CAM



60°/90°CAM



180°/270° CAM



360° CAM

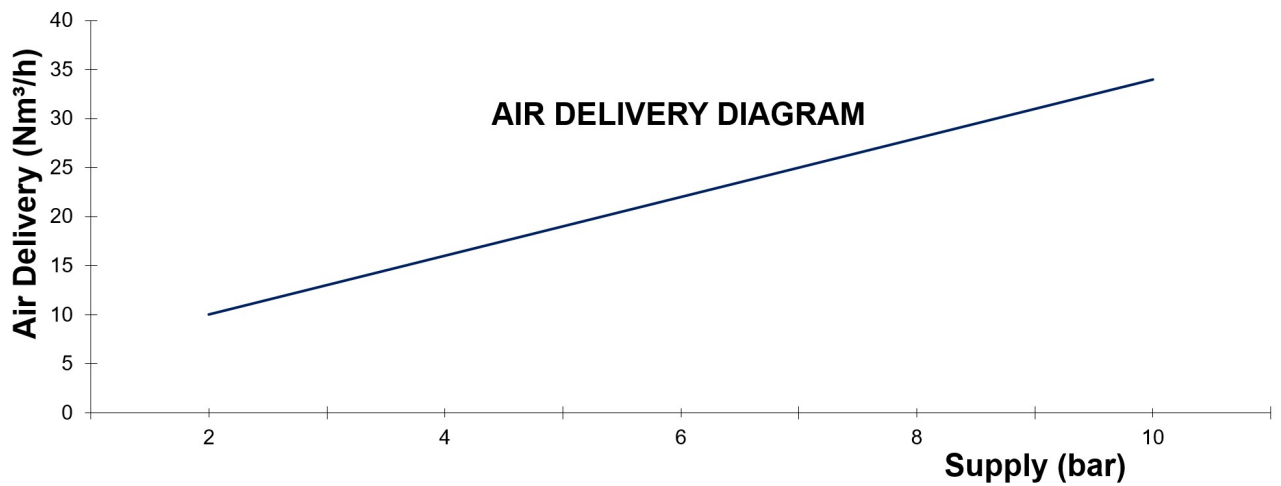


90° eqp CAM

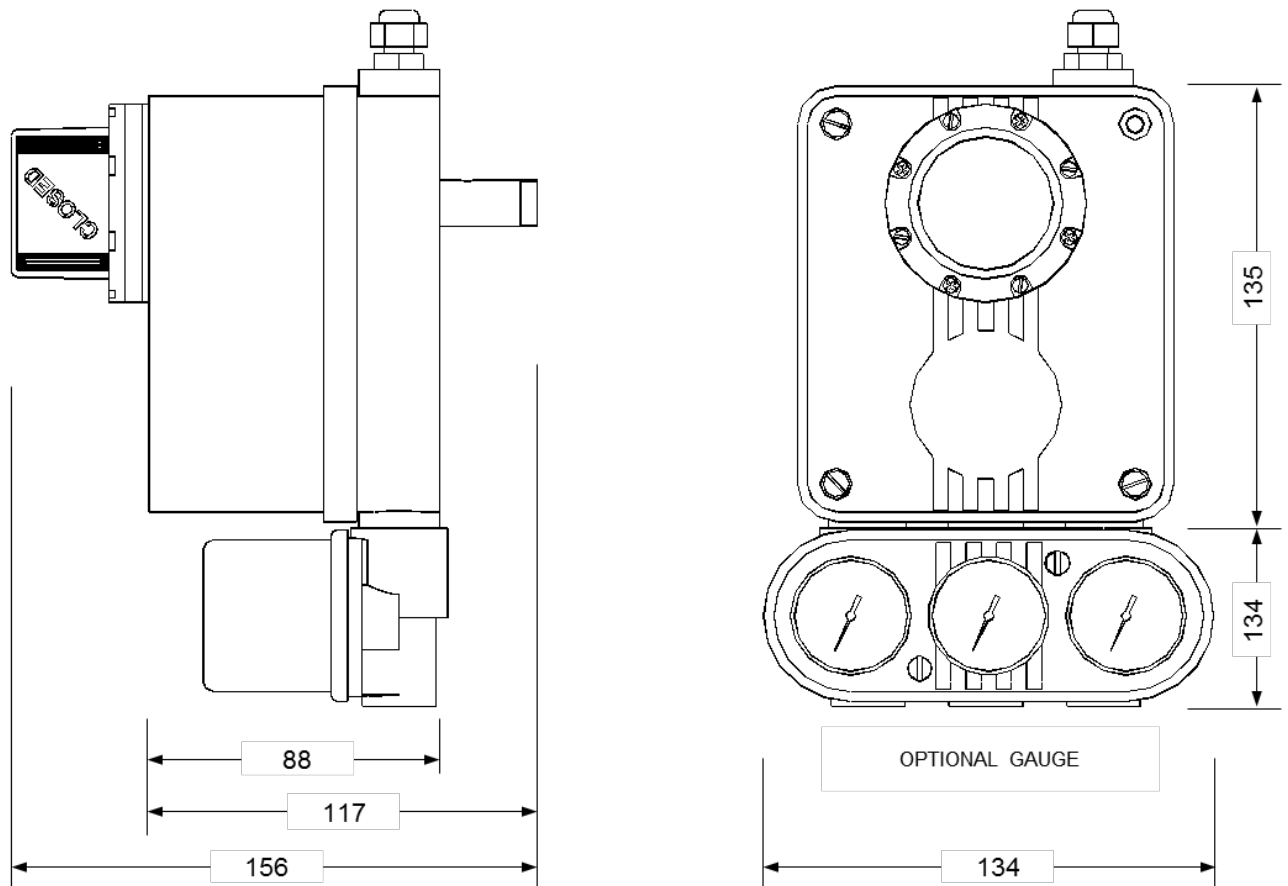
AIR DELIVERY

Test effected with pipe 6x8 mm

| AIR SUPPLY (bar) | AIR DELIVERY (Nm ³ /h) | AIR CONSUMPTION (Nm ³ /h) |
|------------------|------------------------------------|---------------------------------------|
| 2 | from 1 to 10 | 0.2 |
| 4 | from 1 to 16 | 0.5 |
| 6 | from 1 to 22 | 0.7 |
| 8 | from 1 to 28 | 1.0 |
| 10 | from 1 to 34 | 1.4 |



DIMENSIONS



The contents of this publication are presented for information purpose only. We reserve to modify or improve the designs or specifications of such products at any time without notice



OMC s.r.l.

Via Galileo Galilei, 18 - 20060
Cassina de Pecchi (MI) - ITALY
Tel.: (+39) 02.95.28.468
Fax: (+39) 02.95.21.495
info@omcsrl.com